

TILE SELECTION

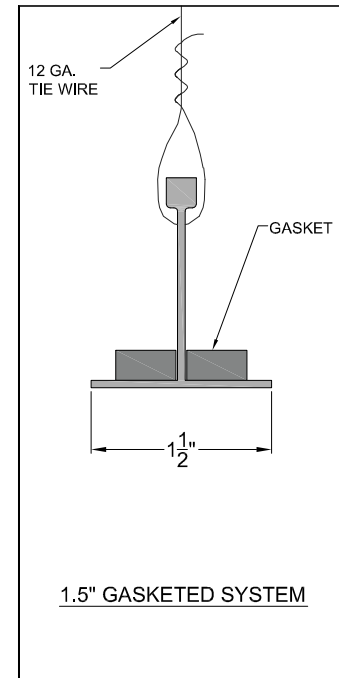
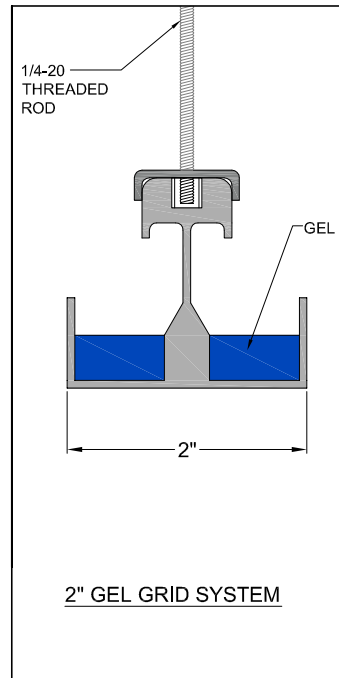
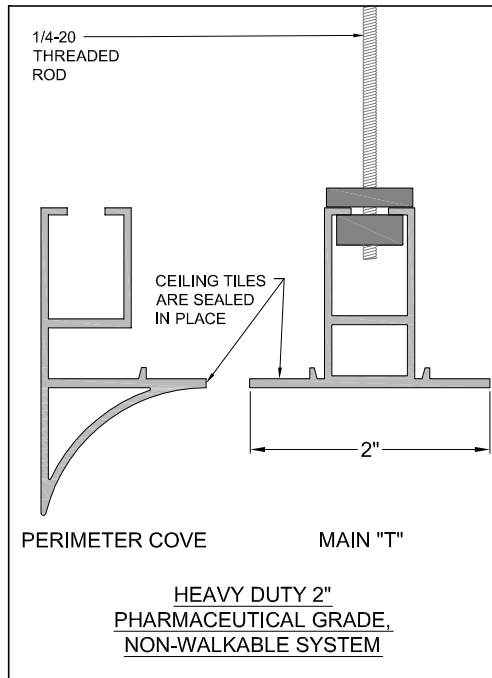
- VINYL COATED CLEANROOM TILE.
- PRE-FINISHED ALUMINUM TILE WITH HONEYCOMB CORE
- METAL CEILING PANELS CONSTRUCTED OF 16 GA. ALUMINUM (0.060" THICK) PAINTED WITH A CHEMICAL RESISTANT PAINT (COLOUR: WHITE)

GRID SELECTION

- HEAVY DUTY 2" PHARMACEUTICAL GRADE NON-WALKABLE GRID SYSTEM
- 2" GEL GRID SYSTEM
- 1.5" GASKETED SYSTEM

NOTES:

1. CLEANROOM CEILING TILES TO MEET CLASS A FIRE TEST RATING AS PER ASTM-E84
2. FINISH ON CEILING TILES: SMOOTH EMBOSSED VINYL, WASHABLE (COLOUR: WHITE)
3. GRID PATTERN SIZE: 2' X 4'
4. GRID IS SUSPENDED WITH 12 GAUGE WIRE COMPLETE WITH TURNBUCKLE ADJUSTMENT
5. WHEN SUSPENDING FROM SLAB ABOVE, USE REDHEAD 5170 WEDGE ANCHOR TIE WIRE OR EQUIVALENT



REV	DESCRIPTION	DATE	DRAWN
6	GENERAL REVIEW	22 SEPT 06	P.F.
5	GENERAL REVIEW	30 SEPT 05	P.F.
4	NEW TITLE BLOCK/NOTES PER ORIGINAL D.G.	5 AUG 05	P.F.
3	COLOUR PLOT MODIFIED	21 FEB 03	DL/MM
2	COLOUR PLOT MODIFIED	17 FEB 03	DL/MM
1	ORIGINAL ISSUE	06 AUG 03	DL/MM



INTRODUCTION TO MODULAR CLEANROOMS AND CONTAINMENT FACILITY SYSTEMS

Drawing Title: REGULAR CLEANROOM TEE BAR CEILING SYSTEMS

Drawn By: D A L B Checked By: M.M. Scale: N.T.S. Date: 05 FEB. 03

Issue: Job Number: CRW3-22

Quantity: 5

UNLESS OTHERWISE NOTED, THIS DRAWING REMAINS THE PROPERTY OF MICROZONE CORPORATION. IT SHALL NOT BE REPRODUCED OR USED FOR MANUFACTURE, DESIGN OR CONSTRUCTION WITHOUT THE EXPRESS WRITTEN AUTHORIZATION BY THE OWNER. THE ACCEPTOR, BY ACCEPTING THIS DRAWING, ASSUMES THE CUSTODY THEREOF AND UNDER THE ABOVE TERMS AGREES NOT TO ALLOW ITS USE BY UNAUTHORIZED PERSONS, WITHOUT MICROZONE LIABILITY FOR FINES AS IMPOSED BY LAW.