

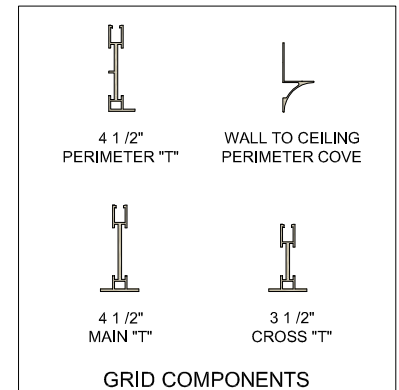
TYPICAL CEILING GRID LAYOUT

**NOTES:**

1. FOR TYPICAL SPACING OF SUSPENSION RODS, REFER TO DRAWING CRW3-23.

**NOTES:**

1. TYPICAL MAXIMUM CEILING DEAD LOAD (COMPONENTS ONLY): 11 LBS/SQ.FT. (GRID MEMBERS, WALKABLE TILES & FILTER MODULES).
2. MAXIMUM CEILING LIVE LOAD: 28 LBS/SQ.FT.
3. EXTRUDED ALUMINUM GRID IS SUSPENDED FROM THE EXISTING STRUCTURE AT ONE POINT FOR EVERY 30 TO 40 SQUARE FEET OF GRID.
4. METAL CEILING PANELS ARE CONSTRUCTED OF 16 GA. ALUMINUM (0.060" THICK) PAINTED WITH A CHEMICAL RESISTANT PAINT (COLOR: WHITE).
5. ALL SEAMS AT METAL PANELS, FILTER MODULES AND LIGHT FIXTURES ARE SEALED WITH A SPECIAL CAULKING.



7	GENERAL REVIEW	30 SEPT 05	P.F.
6	GENERAL REVIEW NEW TITLE BLOCK	5 AUG 05	P.F.
5	GENERAL REVIEW TO DETAILS & LAYOUT	22 DEC 03	M.L.
4	NEW WALL PANEL DETAILS & LAYOUT	20 NOV 03	M.L.
3	COLOUR PLOT MODIFIED	21 FEB 03	DLMM
2	COLOUR PLOT MODIFIED	17 FEB 03	DLMM
1	ORIGINAL ISSUE	06 AUG 03	DLMM
REV	DESCRIPTION	DATE	DRAWN

REVISIONS



Customer  
**INTRODUCTION TO MODULAR CLEANROOMS AND CONTAINMENT FACILITY SYSTEMS**

Drawing Title  
**HEAVY DUTY WALKABLE CLEANROOM CEILING SYSTEM**

Drawn By: P.F./M.L. Checked By: P.F. Scale: N.T.S. Date: 20 NOV 03  
 Issue: Job Number: Drawing Number: **CRW3-21**

UNLESS OTHERWISE NOTED, THIS DRAWING REMAINS THE PROPERTY OF MICROZONE CORPORATION. IT SHALL NOT BE REPRODUCED OR USED FOR MANUFACTURE, SECTION OR CONSTRUCTION WITHOUT THE EXPRESSED WRITTEN AUTHORIZATION OF THE OWNER. THE ACCEPTANCE OF ANY PART OF THIS DRAWING, ASSUMES THE CUSTOMER'S RESPONSIBILITY AND WAIVES THE ABOVE. OWNER AGREES NOT TO ALLOW ITS USE BY UNAUTHORIZED PERSONS, WITHOUT INCURRING LIABILITY FOR PENALTIES IMPOSED BY LAW.