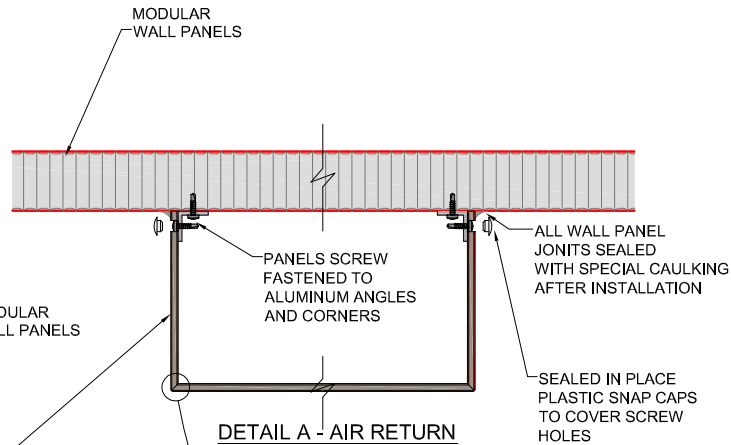
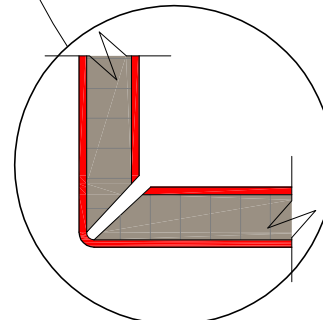


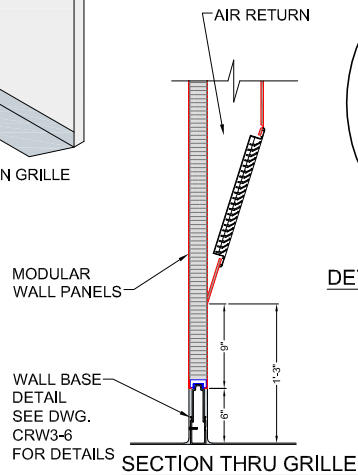
CORNER AIR RETURN



DETAIL A - AIR RETURN ALONG STRAIGHT WALL SECTION



DETAIL B - FOLDED CORNER



STANDARD CORNER AIR RETURN:

A- AIR RETURN WIDTH: 42"

B- AIR RETURN DEPTH: 6"

NOMINAL CAPACITY UP TO 1800 CFM.

OPTIONAL AIR RETURN SIZES

TYPICAL AIR RETURN SIZE (DIMENSION A: AIR RETURN WIDTH)	GRILLE SIZE (ACTIVE FACE)		CAPACITY (CFM)
	W	H	
12"	10"	12"	500
24"	22"	12"	1,000
36" *	32"	12"	1,500

*MAXIMUM WIDTH FOR A SINGLE AIR RETURN ALONG A STRAIGHT SECTION OF WALL.

NOTES:

1. STATIC PRESSURE AT TOP OF WALL (NOT INCLUDING TAKE-OFF COLLAR), APPROXIMATELY 0.15" WG
2. THE OPTIONAL AIR RETURNS ARE ALSO AVAILABLE AS SHOWN IN DETAIL A. i.e. LOCATED WHERE REQUIRED ALONG STRAIGHT WALL SECTION.

REV	DESCRIPTION	DATE	DRAWN
6	GENERAL REVIEW	SEPT 05	M.L.
5	GENERAL REVIEW	08 AUG 05	P.F.
4	GENERAL REVIEW	JULY 2005	M.L.
3	NEW WALL PANEL DETAILS & LAYOUT	20 NOV 03	M.L.
2	COLOUR PLOT MODIFIED	17 FEB 03	DL/MM
1	ORIGINAL ISSUE	06 FEB 03	DL/MM

REVISIONS

MICROZONE CORPORATION
 88 HARRY DOUGLAS DRIVE, OTTAWA, ONTARIO, CANADA K2S 2C7
 TEL: (613) 831-8318 www.microzone.com FAX: (613) 831-8321

INTRODUCTION TO MODULAR CLEANROOMS AND CONTAINMENT FACILITY SYSTEMS

Drawing Title: **RAISED LOCALIZED AIR RETURNS**

Drawn By: PF / ML	Checked By: PF	Scale: N.T.S.	Date: 20 NOV. 03
Issue: - - - - -	Job Number: - - - - -	Revision Number: - - - - -	6

UNLESS OTHERWISE NOTED, THIS DRAWING REMAINS THE PROPERTY OF MICROZONE CORPORATION. IT SHALL NOT BE REPRODUCED OR USED FOR MANUFACTURE, DESIGN OR CONSTRUCTION WITHOUT THE EXPRESSED WRITTEN AUTHORIZATION BY THE COMPANY. THE ACCEPTOR, BY ACCEPTING THIS DRAWING, ASSUMES THE CUSTODY THEREOF AND UNDER THE ABOVE TERMS AGREES NOT TO ALLOW ITS USE BY UNAUTHORIZED PERSONS, WITHOUT INCURRING LIABILITY FOR FINANCIAL PENALTIES BY LAW.