

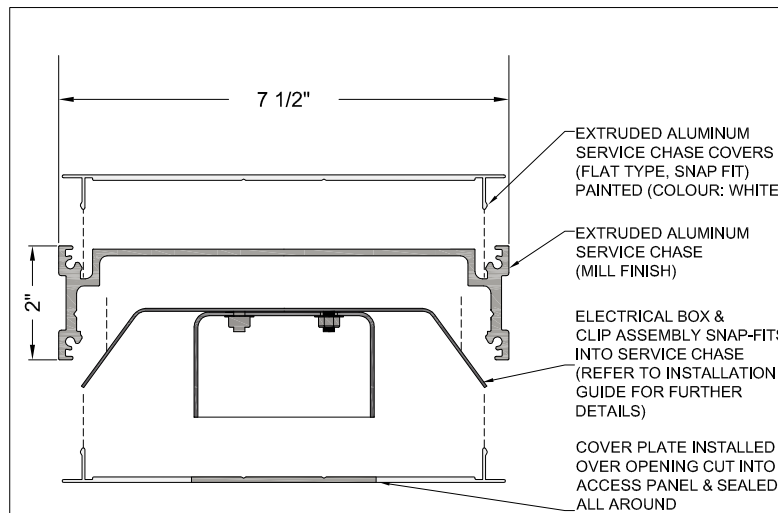
TYPICAL 7 1/2" SERVICE CHASE / WALL PANEL PARTIAL ASSEMBLY ELEVATION

TYPICAL ELECTRICAL BOX INSTALLATION INSTRUCTIONS:

1. MARK THE LOCATION OF THE ELECTRICAL DEVICE ON THE SERVICE CHASE ACCESS PANEL, AND REMOVE ACCESS PANEL FROM SERVICE CHASE.
2. CUT HOLE FOR ELECTRICAL BOX IN ACCESS PANEL WITH A PUNCH OR JIG SAW, ALLOWING 1/16" CLEARANCE AROUND ELECTRICAL BOX.
3. INSTALL ELECTRICAL BOX/CLIP ASSEMBLY INTO SERVICE CHASE (SNAP-FIT) AT REQUIRED HEIGHT.
4. INSTALL WIRING AND CONDUIT TO ELECTRICAL BOX & INSTALL SEALS AS REQUIRED.
5. INSTALL ELECTRICAL DEVICE AND WIRING.
6. INSTALL ACCESS PANEL & SEAL BETWEEN ELECTRICAL BOX & COVER.
7. INSTALL COVER PLATE & SEAL.

PLUMBING SERVICES:

SERVICE CHASES AND ACCESS PANELS MAY BE SIMILARLY PREPARED FOR OWNER'S PLUMBING SERVICES AND LABORATORY GASSES.



PARTIAL CROSS-SECTION 'A'-A' SHOWING TYPICAL ELECTRICAL BOX & CLIP ASSEMBLY

NOTES:

1. SERVICE CHASE ACCEPTS 1 3/4" DEEP (MAXIMUM) ELECTRICAL BOXES (e.g. 2" x 3" x 1 3/4" DEEP, LOWES # 19849 HANDY BOX, WELDED CONSTRUCTION, U.L. APPROVED, OR IBERVILLE BC 2020)

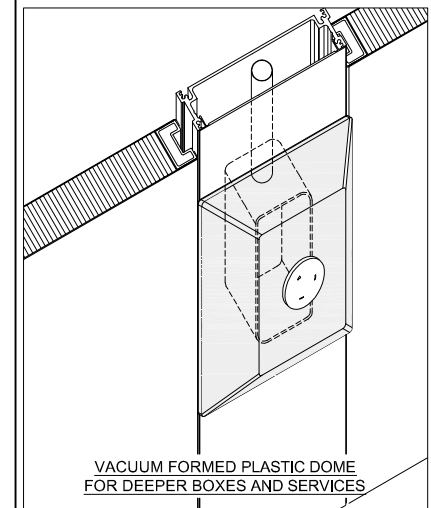
SPECIFICATIONS FOR DUST AND MOISTURE RESISTANT POWER OUTLET & LIGHT SWITCH COVERS:

1. POWER OUTLETS:

- 15 AMP.: PASS & SEYMOUR # 6206
- 20 AMP.: PASS & SEYMOUR # 6307

2. LIGHT SWITCH COVERS:

PASS & SEYMOUR WP SERIES.



VACUUM FORMED PLASTIC DOME FOR DEEPER BOXES AND SERVICES

REV	DESCRIPTION	DATE	DRAWN
8	GENERAL REVIEW	SEPT 06	P.F.
7	GENERAL REVIEW	MAY 06	P.F.
6	GENERAL REVIEW	SEPT 05	M.L.
5	GENERAL REVIEW	06 AUG 05	P.F.
4	GENERAL REVIEW	JULY 2005	M.L.
3	NEW WALL PANEL DETAILS & LAYOUT	20 NOV 03	M.L.
2	COLOUR PLOT MODIFIED	17 FEB 03	DL/MM
1	ORIGINAL ISSUE	06 FEB 03	DL/MM

REVISIONS



INTRODUCTION TO MODULAR CLEANROOMS AND CONTAINMENT FACILITY SYSTEMS

Drawing Title: 7-1/2" SERVICE CHASE			
Drawn By: PF & ML	Checked By: PF	Scale: AS NOTED	Date: 28 JAN 03
Issue: -----	Job Number: -----	Drawing Number: CRW3-4	Revision Number: 7

UNLESS OTHERWISE NOTED, THIS DRAWING REMAINS THE PROPERTY OF MICROZONE CORPORATION. IT SHALL NOT BE REPRODUCED OR USED FOR MANUFACTURE, DESIGN OR CONSTRUCTION WITHOUT THE EXPRESS WRITTEN APPROVAL BY THE OWNER. THE ACCEPTOR, BY ACCEPTING THIS DRAWING, ASSUMES THE CUSTODY THEREOF AND UNDER THE ABOVE TERMS AGREES NOT TO ALLOW ITS USE BY UNAUTHORIZED PERSONS, WITHOUT INCURRING LIABILITY FOR FINANCIAL LOSS BY LAW.